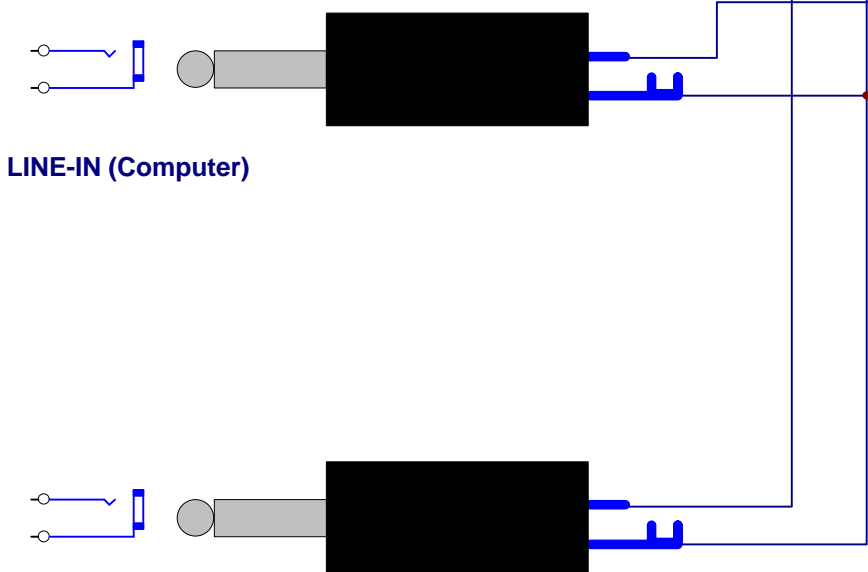


to CAT Socket (BAN-DATA)

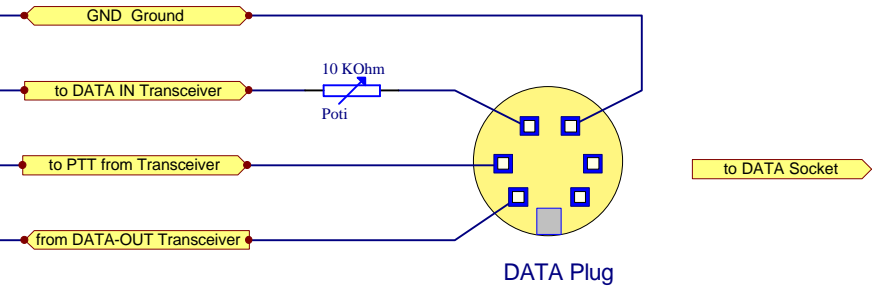
Baudrate = 4800 Baud




LINE-IN (Computer)

Speaker or LINE-Out (Computer)

For the YAESU FT100 Transceiver



to DATA Socket

 CABLE- AND JUNCTIONS Service WORKFILE: CABHM07f		
Switchmodul:	receiver type: for YAESU standard TX control	date:
RC-HAM	YAESU FT100 Remote Cable	16.12.2000
Intern Info: for RadioCom Transceiver control		